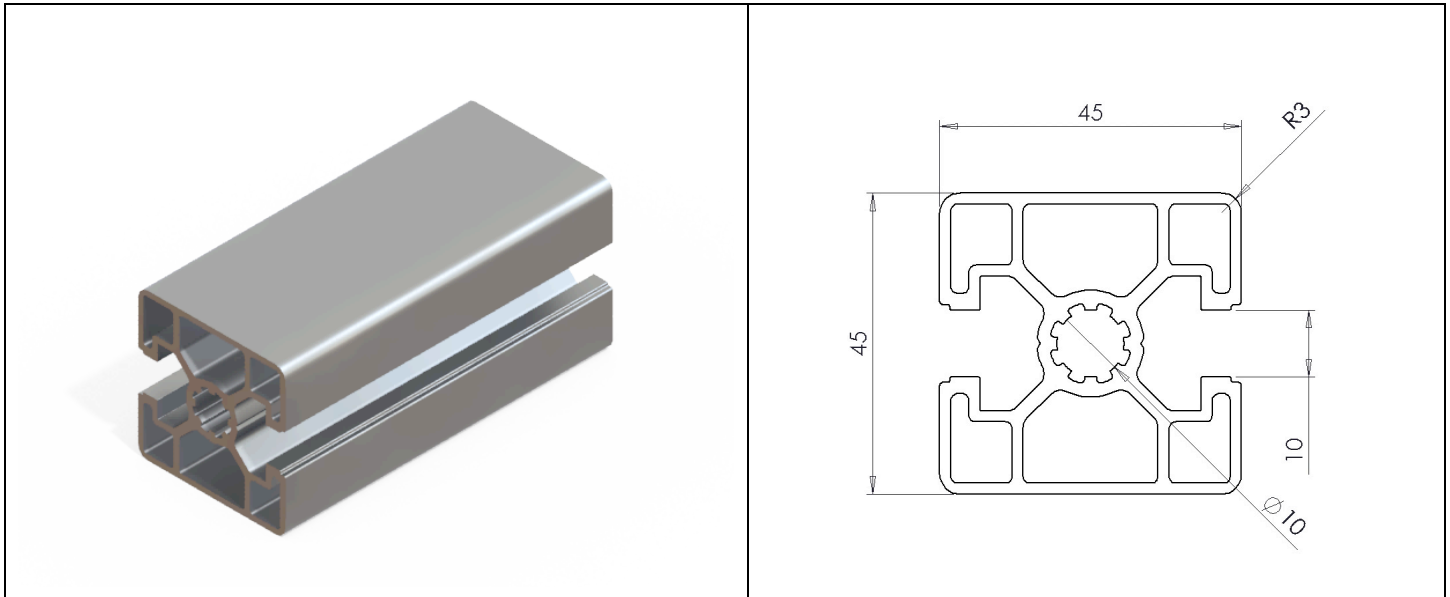


45x45 2N Aluminium Profile (10mm Slot)



Max Length		6000mm
Part No		KJN 992 403
Profile		45x45 2N
Slot Size		10mm
Mass		1.6kg/m
Moment of Inertia	lx cm ⁴	11.5
	ly cm ⁴	11.5
Section Modulus	Wx cm ³	5.1
	Wy cm ³	5.1
Profile Surface	A cm ²	6.1