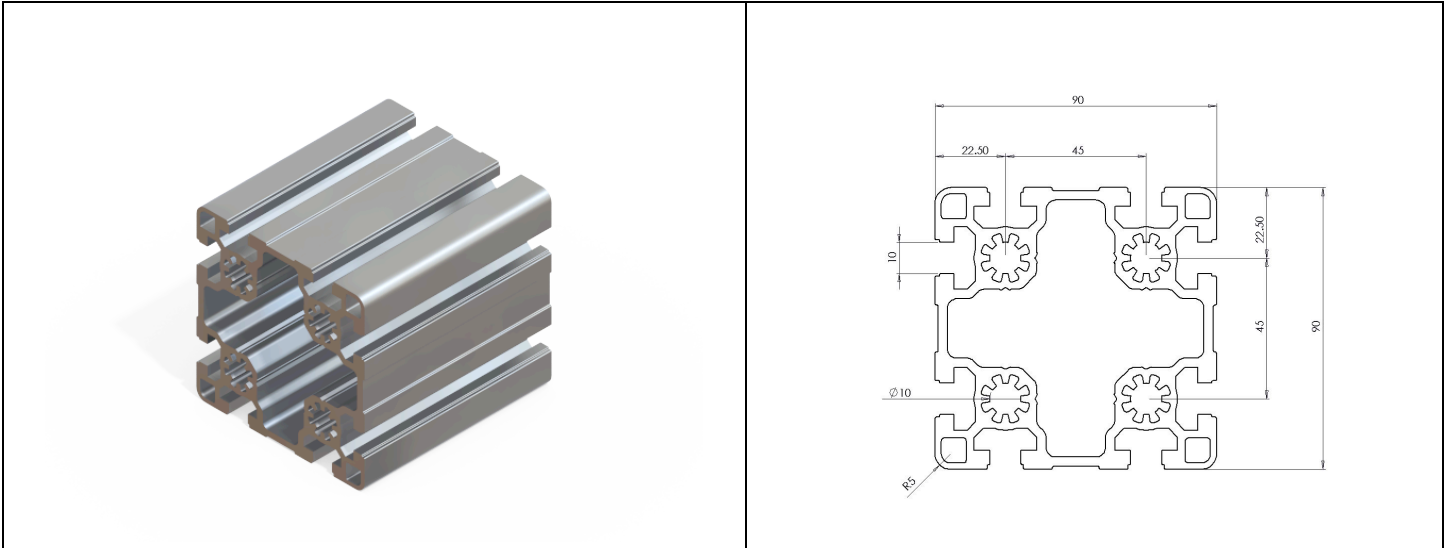


## 90x90L Aluminium Profile (10mm Slot)



Max Length		6000mm
Part No		KJN 992 415
Profile		90x90L
Slot Size		10mm
Mass		6.1kg/m
Moment of Inertia	Ix cm <sup>4</sup>	204.5
	Iy cm <sup>4</sup>	204.5
Section Modulus	Wx cm <sup>3</sup>	45.5
	Wy cm <sup>3</sup>	45.5
Profile Surface	A cm <sup>2</sup>	22.5