

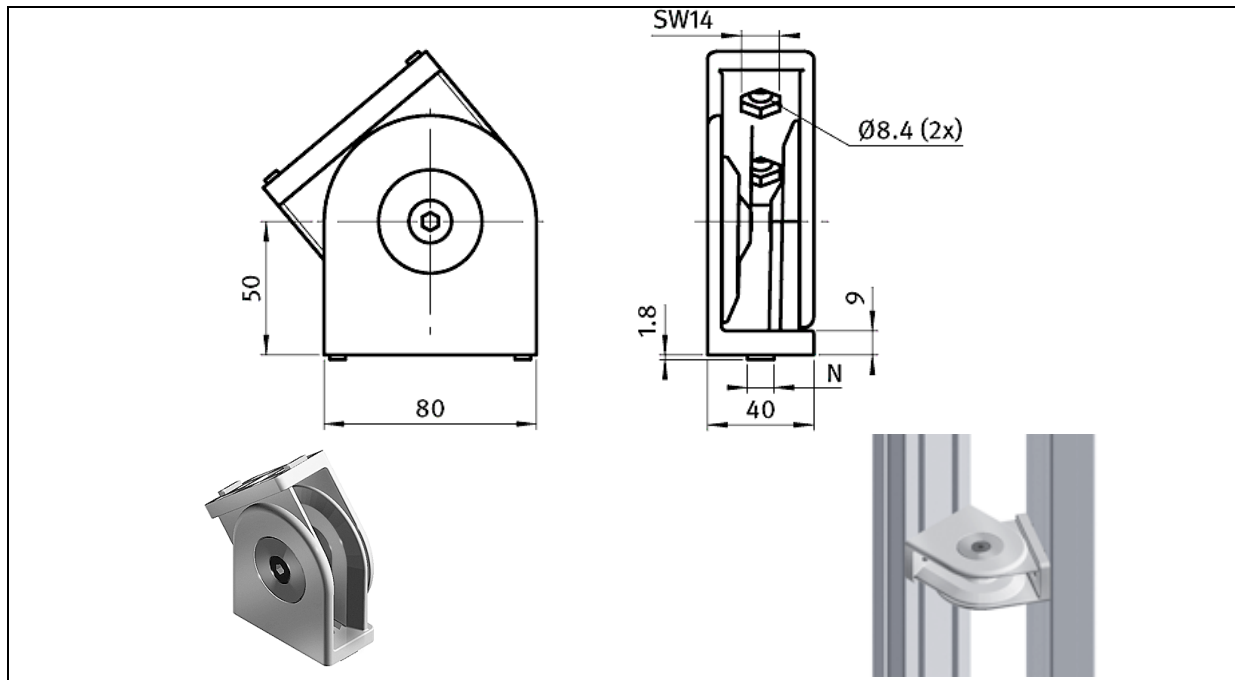
40x80 Pivot Joint

Description

- To make a pivoting connection between 2 profiles or panels; fixed locating pins for slot 6 or 8 optional; by tightening or loosening the screws you can seamlessly regulate the functionality of the joint or you can fix it in one position

Material:

- Die Cast Zinc – Alu colour Laquered



Version	Slot Size	Weight (g)	Part No
40x80 Joint	N=8/10	997	KJN 4080J

