

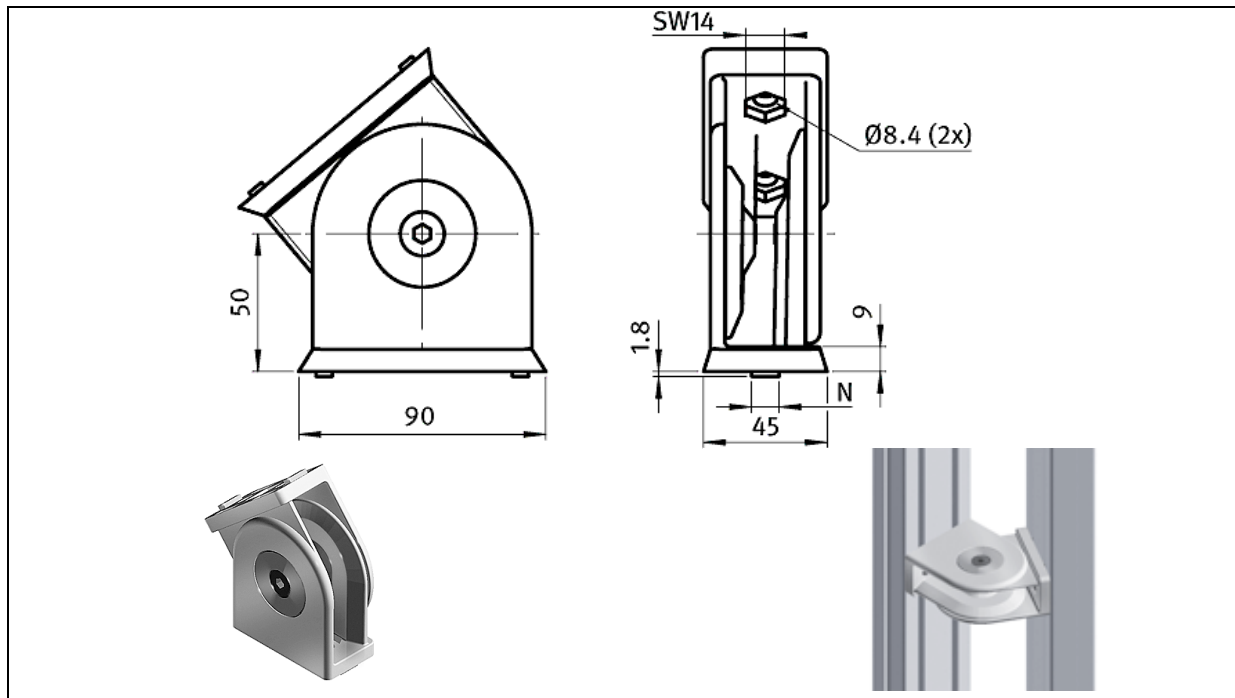
## 45x90 Pivot Joint

### Description

- To make a pivoting connection between 2 profiles or panels; fixed locating pins for slot 6 or 8 optional; by tightening or loosening the screws you can seamlessly regulate the functionality of the joint or you can fix it in one position

### Material:

- Die Cast Zinc – Alu colour Laquered



Version	Slot Size	Weight (g)	Part No
45x90 Joint	N=8/10	1046	KJN 4590J

