

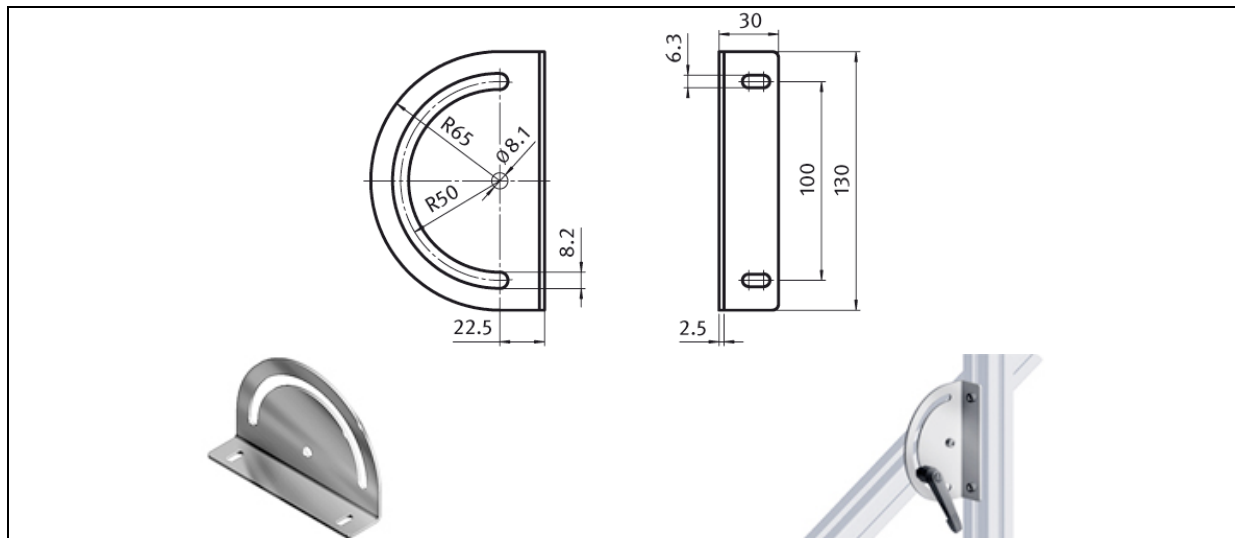
## SWIVEL FASTENING

### Description

- To Connect Profiles at an adjustable angle, can be fixed with locking lever

### Material:

- Steel Zinc Plated



Version	Slot Size	Weight (g)	Part No
Swivel Fastening	8 & 8-10	221	KJN 538 275
	10 & 10-8	221	KJN 538 276

### Fittings Supplied

8mm Slot - Clamping Lever, 1 x M8 X 12, 2 x M6 X 12 Caphead and T Nut, 2 x M6 x 16 Caphead and T Nut

10mm Slot - Clamping Lever, 1 x M8 X 16, 2 x M6 X 12 Caphead and T Nut, 2 x M6 x 16 Caphead and T Nut

