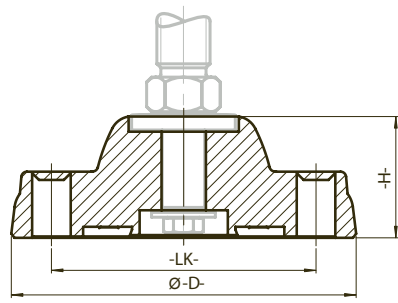


Base for Heavy-duty Fixed Feet

Description Nylon, with Bolt-down Holes
Leveling foot for stable positioning of heavy machinery on the floor

Material Fiberglass reinforced nylon
Color Black

Specials conductive, other colors, screwed or glued anti-slip plate on request



Base	Max. Load [kg]	D [mm]	LK [mm]	H [mm]	Weight [g]	without Anti-slip Plate	with Anti-slip Plate
125	1800	125	96	44	250.0	098K125KBZ	098K125KBZG
175	2500	175	135	45	350.0	098K175KBZ	098K175KBZG

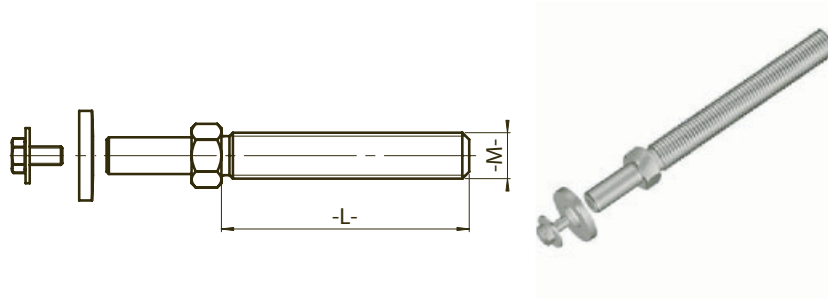
Threaded Rod For Heavy Duty Fixed Feet

Steel / Stainless Steel

Description Threaded rod for heavy-duty fixed leveling feet

Material Zinc plated steel / stainless steel SS 304

Screw joint Fixed



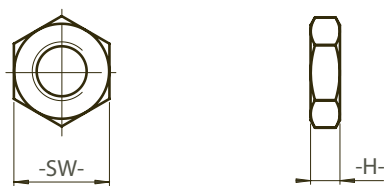
Threaded Rod M x L	Max. Load [kg]	Weight [g]	Spanner Width	Zinc Plated Steel	Stainless Steel
M16 x 100	1450	236.0	24	098KM16100M	098KM16100E
M16 x 150	1450	303.0	24	098KM16150M	098KM16150E
M16 x 200	1450	370.0	24	098KM16200M	098KM16200E
M20 x 100	2430	314.0	24	098KM20100M	098KM20100E
M20 x 150	2430	400.0	24	098KM20150M	098KM20150E
M20 x 200	2430	521.0	24	098KM20200M	098KM20200E
M24 x 100	3610	404.0	24	098KM24100M	098KM24100E
M24 x 150	3610	555.0	24	098KM24150M	098KM24150E
M24 x 200	3610	705.0	24	098KM24200M	098KM24200E
M30 x 100	5770	579.0	24	098KM30100M	098KM30100E
M30 x 150	5770	818.0	24	098KM30150M	098KM30150E
M30 x 200	5770	1056.0	24	098KM30200M	098KM30200E

DIN 439 For Threaded Rod

Steel / Stainless Steel

Description Flat counter nuts (DIN 439 form B) for threaded rods

Material Zinc plated steel / stainless steel SS 304



Hexagon Nut	H [mm]	Spanner Width	Weight [g]	Zinc Plated Steel	Stainless Steel
M6	3.2	10	1.5	4DIN439BM6M	4DIN439BM6E
M8	4.0	13	3.0	4DIN439BM8M	4DIN439BM8E
M10	5.0	17	6.0	4DIN439BM10M	4DIN439BM10E
M12	6.0	19	9.0	4DIN439BM12M	4DIN439BM12E
M14	7.0	22	14.0	4DIN439BM14M	4DIN439BM14E
M16	8.0	24	18.0	4DIN439BM16M	4DIN439BM16E
M20	10.0	36	33.0	4DIN439BM20M	4DIN439BM20E
M24	12.0	36	60.0	4DIN439BM24M	4DIN439BM24E
M30	15.0	46	100.0	4DIN439BM30M	4DIN439BM30E