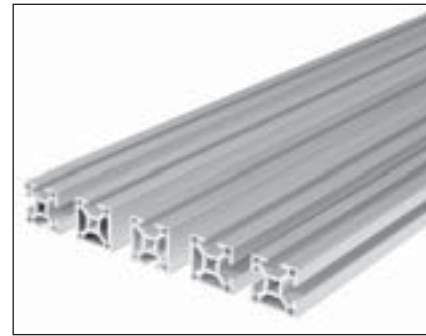
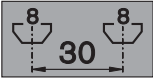


Profile · Profiles · Profilés

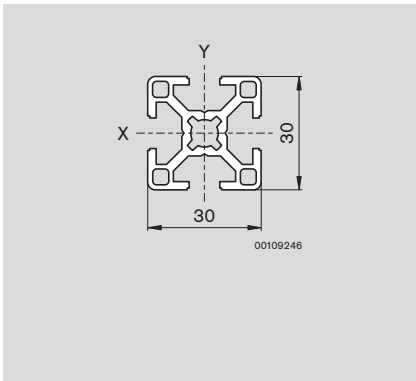
30x30



110889



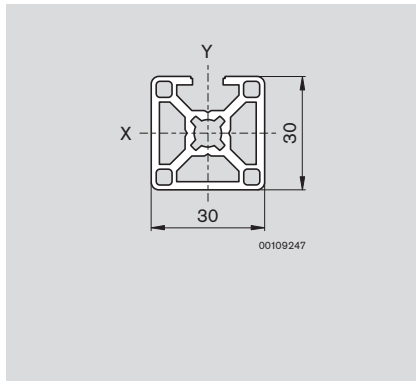
30x30



	LE 1 x L = ... mm
	3 842 990 720 / ...
D11	3 842 990 722 / ...
D11	3 842 990 725 / ...
D11	3 842 990 726 / ...
D7,8	3 842 992 965 / ...
M8	3 842 990 721 / ...
M8	3 842 990 724 / ...
M8	3 842 990 723 / ...
	30 mm L 5600 mm

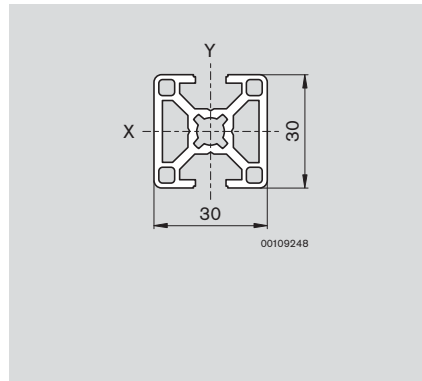
	LE 20 x L = 5600 mm
	3 842 509 178

30x30 1N



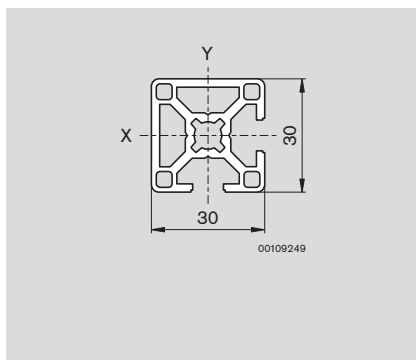
	LE 1 x L = ... mm
	3 842 992 397 / ...
	30 mm ≤ L ≤ 5600 mm
	LE 20 x L = 5600 mm
	3 842 506 948

30x30 2N



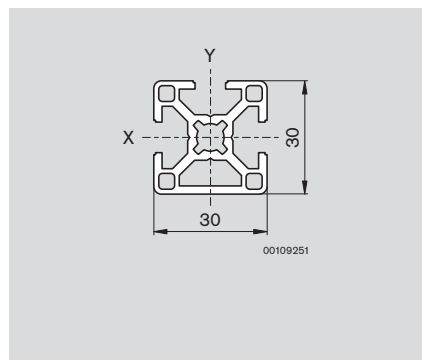
	LE 1 x L = ... mm
	3 842 992 399 / ...
	30 mm ≤ L ≤ 5600 mm
	LE 20 x L = 5600 mm
	3 842 506 950

30x30 2NVS

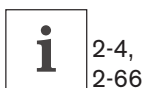


	LE 1 x L = ... mm
	3 842 992 398 / ...
	30 mm ≤ L ≤ 5600 mm
	LE 20 x L = 5600 mm
	3 842 506 949

30x30 3N



	LE 1 x L = ... mm
	3 842 992 400 / ...
	30 mm ≤ L ≤ 5600 mm
	LE 20 x L = 5600 mm
	3 842 506 951



2-4,
2-66



2-21



2-21



2-58



2-63