

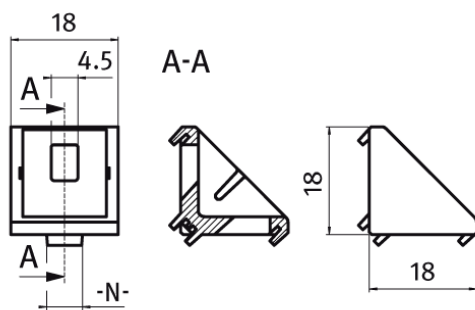
20x20 Angle Bracket

Description:

- To connect two aluminium profiles at right angles.
- Suitable for 20x20 profile (6mm slot)

Material:

- Die Cast Aluminium



Version	Size	Slot Size	Weight (g)	Part No
Bracket Only	18 x 18 x 18	N = 6	10	KJN 523 508
Bracket & Fittings	M4x8 x 2	6		KJN 523 511

