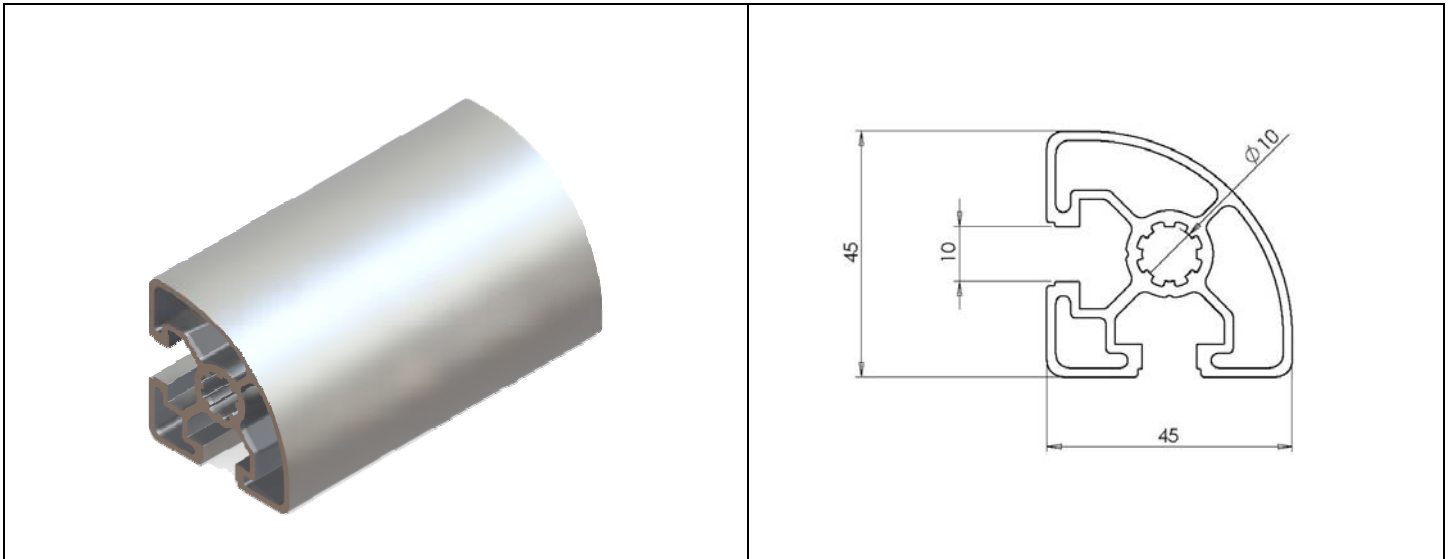


45x45R Aluminium Profile (10mm Slot)



Max Length		6000mm
Part No		KJN 992 897
Profile		45X45 3N
Slot Size		10mm
Mass		1.3kg/m
Moment of Inertia	Ix cm ⁴	8.4
	Iy cm ⁴	8.4
Section Modulus	Wx cm ³	3.3
	Wy cm ³	3.3
Profile Surface	A cm ²	4.9