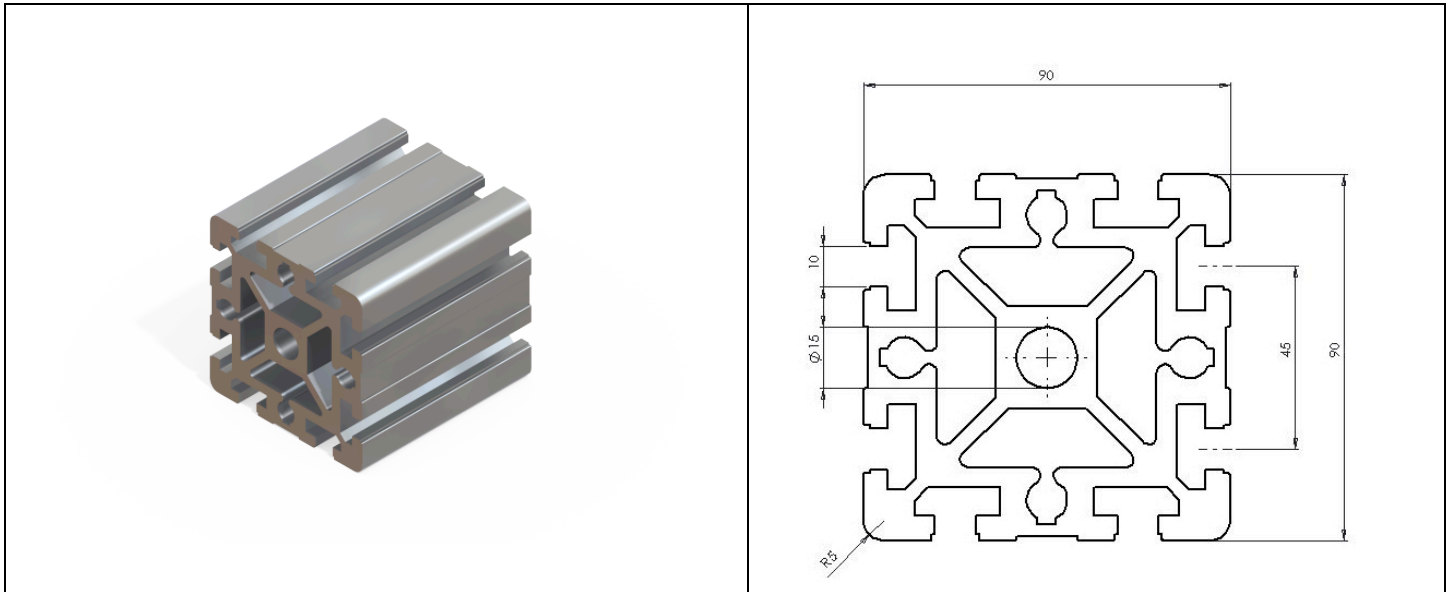


90x90H Aluminium Profile (10mm Slot)



Max Length		6000mm
Part No		KJN 990 500
Profile		90x90H
Slot Size		10mm
Mass		10.3kg/m
Moment of Inertia	lx cm ⁴	296.2
	ly cm ⁴	296.2
Section Modulus	Wx cm ³	65.8
	Wy cm ³	65.8
Profile Surface	A cm ²	38.1